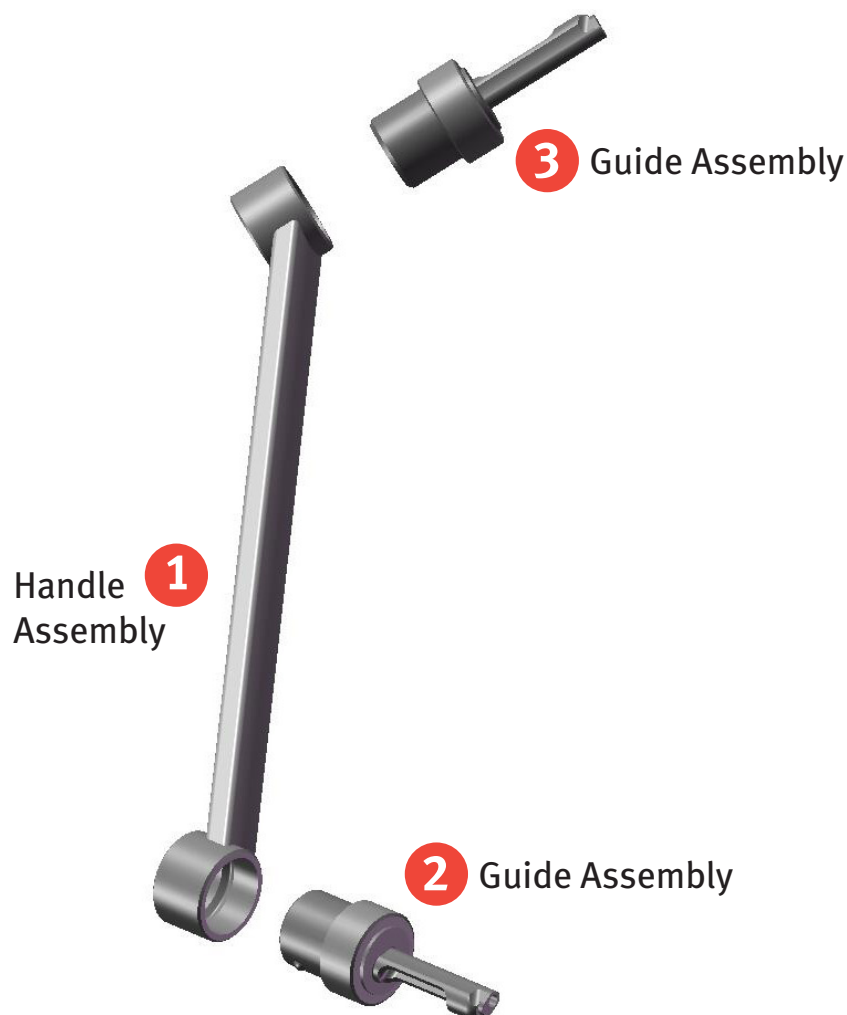




Drill Guide
4.6mm Screw
00-1193-062-00

Assembly/Disassembly
Instructions



Disassembly Instructions for Drill Guide 4.6mm Screw

1. Pull the Guide Assembly **2** firmly to disengage it from the Handle Assembly **1**.
2. Pull the Guide Assembly **3** firmly to disengage it from the Handle Assembly **1**.
3. End of disassembly.

Assembly Instructions for Drill Guide 4.6mm Screw

1. Push the Guide Assembly **2** firmly inside the Handle Assembly **1** until the spherical ball of the Guide Assembly **2** engages and free to rotate in groove of the Handle Assembly **1**.
2. Push the Guide Assembly **3** firmly inside the Handle Assembly **1** until the spherical ball of the Guide Assembly **3** engages and free to rotate in groove of the Handle Assembly **1**.
3. End of assembly.



+H124970000500001/\$100610F101

97-0000-500-00 1003-T31 Printed in USA ©2010 Zimmer, Inc.